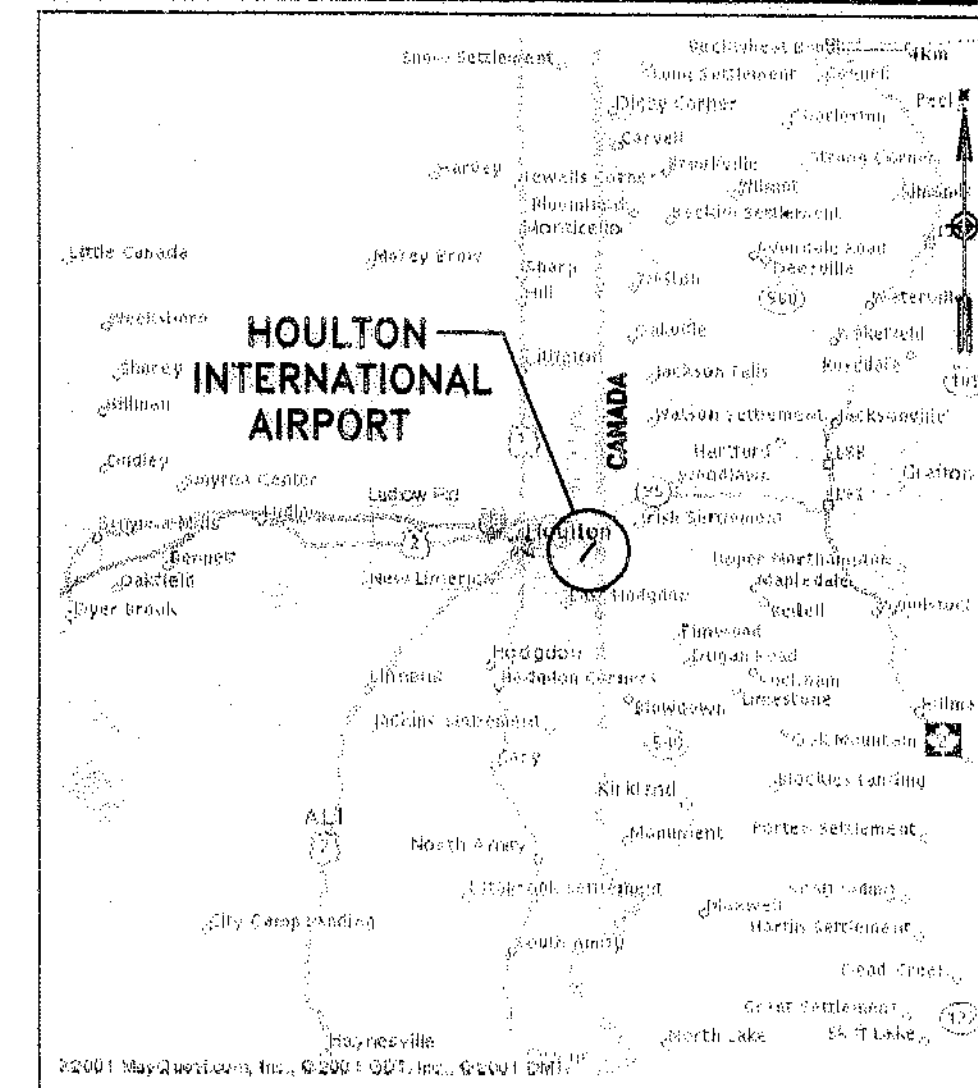


**VICINITY MAP**  
NOT TO SCALE

# HOULTON INTERNATIONAL AIRPORT HOULTON, MAINE

# MASTER PLAN UPDATE



**LOCATION MAP**  
NOT TO SCALE

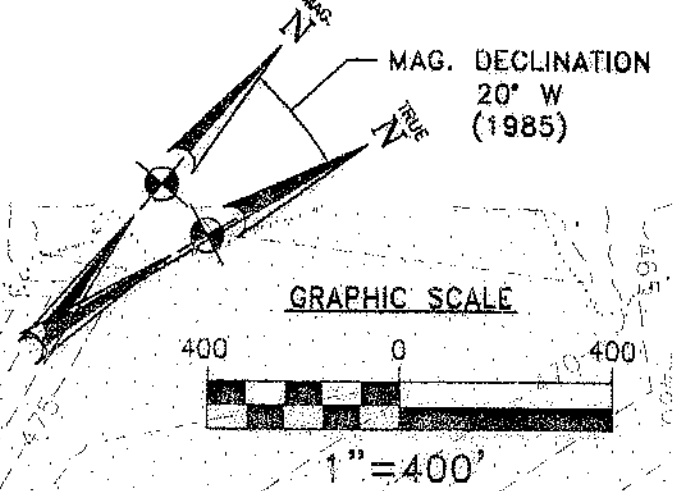
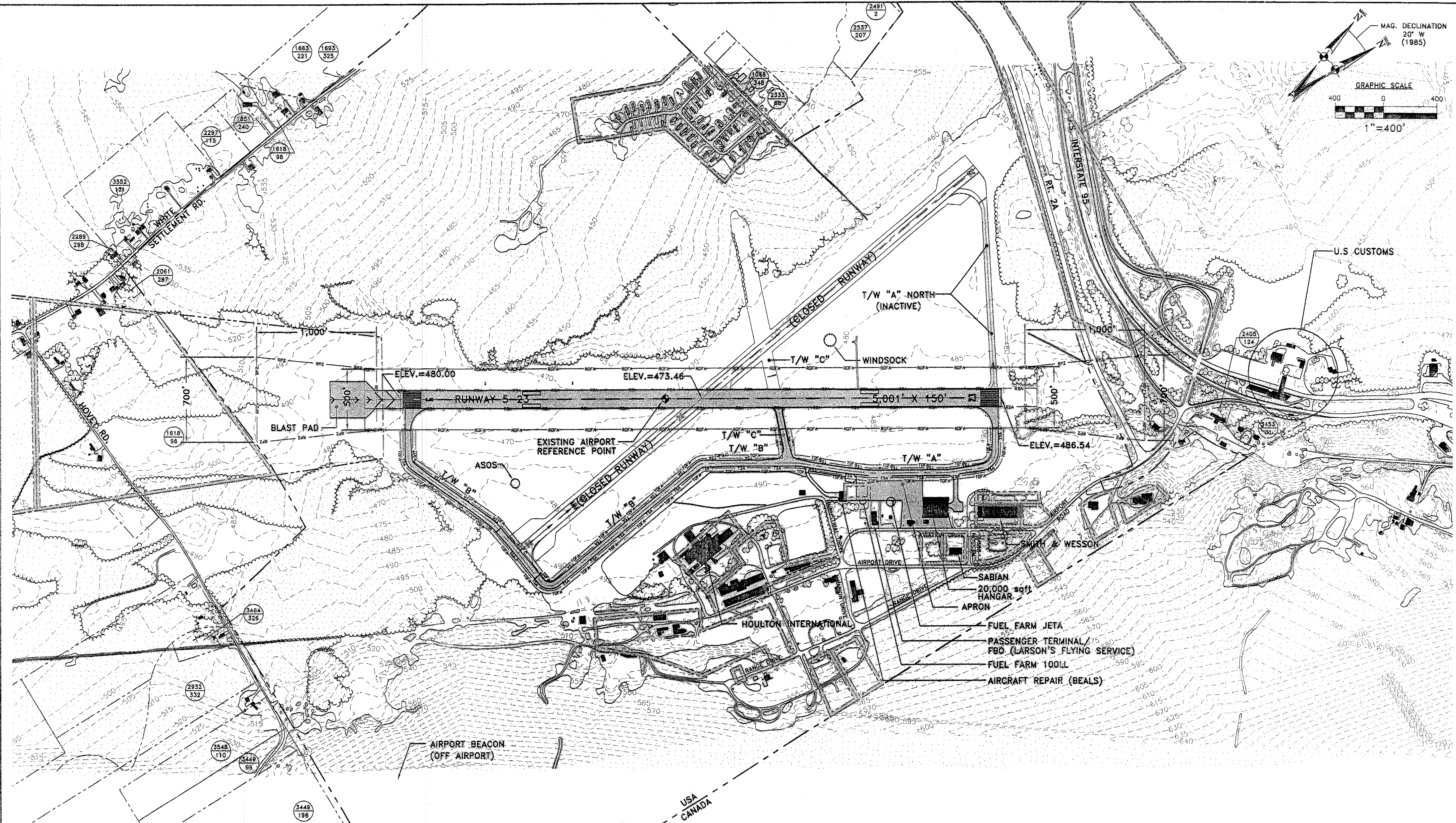
## MAINE DEPARTMENT OF TRANSPORTATION STATE PROJECT NO. SAIP11.9047(1) HOULTON PROJECT NO. 008792.01

### INDEX TO DRAWINGS

1. COVER/TITLE SHEET
2. ALP (EXISTING FACILITIES)
3. ALP (ULTIMATE FACILITIES)
4. ALP DATA SHEET
5. TERMINAL AREA PLAN
6. RUNWAY 5-23 & 1-19  
PLAN AND PROFILE
7. FAR PART 77 AIRSPACE SURFACES
8. LAND USE PLAN
9. EXHIBIT "A"

**DECEMBER, 2002**

STATE PROJECT NO. SAIP11.9047(1)	HOULTON PROJECT NO.	008792.01
	PROJECT DESIGNER	<b>HTA</b> Consulting Engineers
PROJECT DESIGNER	<b>Hoyle, Tanner &amp; Associates, Inc.</b>	DR. BY: TDB DES. BY: WPR
150 DOW STREET - MANCHESTER, NH 03101 - 1227 Tel: (603) 689-5555 Fax: (603) 689-4186 www.hta-nh.com	SCALE: AS SHOWN	DATE: DECEMBER, 2002
HOULTON INT'L AIRPORT AIRPORT MASTER PLAN UPDATE	COVER/TITLE SHEET	
HTA PROJ. No.: 302901.02	houcover	
DRAWING NO.	1	
SHEET 1 OF 9	REV	



**RUNWAY DATA**

ITEM	RUNWAY 5-23	RUNWAY 1-19
	EXISTING	EXISTING
PHYSICAL LENGTH	5,001'	
WIDTH	150'	
STUB TAXIWAY WIDTHS	60'	
PVMT. STRENGTH	50,000 LBS. SINGLE WHEEL/ 57,000 LBS. DOUBLE WHEEL	
SURFACE MATERIAL	BITUMINOUS CONCRETE	
APPROACH TYPE	NON-PRECISION - RWY 5 VISUAL - RWY 23	
CLASSIFICATION	UTILITY	
RUNWAY LIGHTING	MIRL	
RUNWAY MARKING	NON-PRECISION	
EFFECTIVE GRADIENT (%)	0.004%	
TAXIWAY LIGHTING	MIL	
VISUAL AIDS	PAPI	
MAG. BEARING (TRUE BEARING)	328° 54' 46.6" (310° 28.35')	
DESIGNATED INSTRUMENT RUNWAY	5	

**CLOSED**

**AIRPORT DATA**

ITEM	EXISTING
AIRPORT ELEVATION (U.S.G.S.-M.S.L.)	489'
AIRPORT REFERENCE POINT (ARP)	43°17'04"N, 70°35'76"W
MEAN MAX. TEMP HOTTEST MONTH	83°F
NAVAIDS	HOULTON VOR W/DME (4.9 MILES SW)
DIST. & DIRECTION FROM THE TOWN OF HOULTON	2 MILES EAST OF HOULTON
LAND OWNED (ACRES)	194.5
AVIGATION EASEMENT (ACRES)	36
OWNER	TOWN OF HOULTON
MAG. DECLINATION (ANNUAL RATE OF CHANGE)	16'28.2"W (+.7")
CRITICAL AIRCRAFT	"GENERIC B-II"
CRITICAL AIRCRAFT APPROACH SPEED	96 KTS.
CRITICAL AIRCRAFT W/TOW	22,500 LBS.
AIRPLANE DESIGN GROUP	I
AIRCRAFT APPROACH CATEGORY	B

**LEGEND**

SYMBOL	DESCRIPTION	SYMBOL	DESCRIPTION
—	EXISTING PAVEMENT EDGE	—RPZ	RUNWAY PROTECTION ZONE
—	RUNWAY CENTERLINE	—RSA	RUNWAY SAFETY AREA
—	EXISTING PAVEMENT	—RFFA	RUNWAY OBJECT FREE AREA
—	TREE LINE	—TSA	TAXIWAY SAFETY AREA
—	EXISTING CONTOUR (TYP)	—TFFA	TAXIWAY OBJECT FREE AREA
—	BUILDING	—RVZ	RUNWAY VISIBILITY ZONE
—	AIRPORT PROPERTY LINE		
—	SEGMENTED CIRCLE/ LIGHTED WINDSOCK		
—	EXISTING AVIGATION EASEMENT AREA		

HOULTON INT'L AIRPORT  
AIRPORT MASTER PLAN UPDATE

**AIRPORT LAYOUT PLAN  
(EXISTING FACILITIES)**

HIA PROJ. No.: 302901.02  
houlp.dwg

DRAWING NO.  
**2**

SHEET 2 OF 9

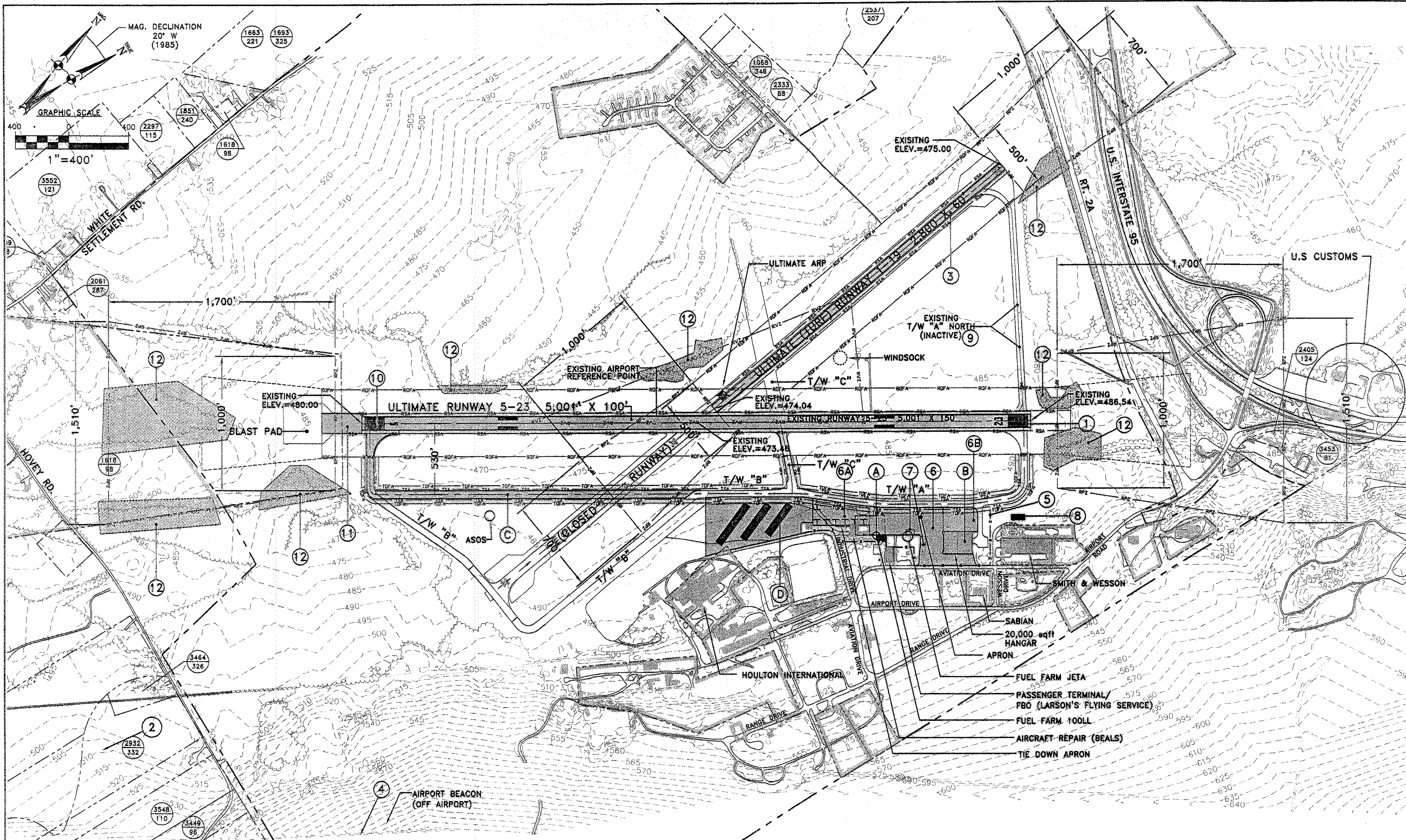
STATE NO. SAIP11.9047(1)  
PROJECT NO. HOULTON PROJECT NO. 008792.01

PROJECT DESIGNER  
**Hoyle, Tanner & Associates, Inc.**  
150 DOW STREET - MANCHESTER, NH 03101 - 1227  
Tel: (603) 669-5555 Fax: (603) 669-4166 WEB PAGE: www.hta-nh.com

DES. BY: WPR  
CHKD. BY: JRL  
DR. BY: TDB  
DATE: DECEMBER, 2002

REVISIONS

REV. NO.	DATE	DESCRIPTION
1		



LEGEND	
SYMBOL	DESCRIPTION
[Symbol]	PAVEMENT EDGE
[Symbol]	EXISTING RUNWAY CENTERLINE
[Symbol]	ULTIMATE RUNWAY CENTERLINE
[Symbol]	TREE LINE
[Symbol]	EXISTING CONTOUR (TYP)
[Symbol]	AIRPORT PROPERTY LINE
[Symbol]	ABUTTING PROPERTY LINE
[Symbol]	SECURITY FENCING
[Symbol]	PROPOSED PAVEMENT
[Symbol]	PROPOSED TURF RUNWAY
[Symbol]	EXISTING STRUCTURE
[Symbol]	PROPOSED STRUCTURE
[Symbol]	EXISTING AVIATION EASEMENT AREA
[Symbol]	EXISTING TRANSIENT TURF TIEDOWNS
[Symbol]	ULTIMATE TRANSIENT TURF TIEDOWNS
[Symbol]	EXISTING RUNWAY PROTECTION ZONE
[Symbol]	RUNWAY PROTECTION ZONE
[Symbol]	RSA
[Symbol]	RUNWAY OBJECT FREE AREA
[Symbol]	TSA
[Symbol]	TAXIWAY SAFETY AREA
[Symbol]	TAXIWAY OBJECT FREE AREA
[Symbol]	TAXILANE Q TO FIXED OBJECTS (39.5')
[Symbol]	RUNWAY VISIBILITY ZONE
[Symbol]	PROPOSED OBSTRUCTION REMOVAL AREA
[Symbol]	TOWN OF HOULTON BOOK & PAGE NO. (SEE SHEET 9 EXHIBIT "A" FOR COMPLETE PROPERTY OWNERSHIP INFORMATION).

**AIRPORT DEVELOPMENT: BUILD TO MEET FAA DESIGN CRITERIA**

- 1 RUNWAY WIDTH REDUCTION TO 100 FEET.
- 2 OBSTRUCTION REMOVAL (HENDERSON HILL).
- 3 RUNWAY 1-19 REUSE/CONVERSION TO TURF.
- 4 UPGRADE AIRPORT BEACON TOWER.
- 5 TERMINAL AREA/PERIMETER FENCING.
- 6 EXISTING APRON UPGRADE/RAMP LIGHTING.
- 6A NEW TIE-DOWN APRON
- 6B NEW CARGO AND GA APRONS
- 7 CONCRETE REFUELING APRONS.
- 8 NEW SRE BUILDING
- 9 RE-ACTIVATE EXISTING T/W "A" NORTH
- 10 RE-STRIPE RUNWAY W/PRECISION MARKINGS
- 11 IMPROVE RSA @ R/W 5 END BY REGRADING TO MEET DESIGN CRITERIA
- 12 REMOVE OBJECTS PENETRATING THE IMAGINARY SURFACES, THE RUNWAY VISIBILITY ZONE, RSA, OFA, OFZ, & APPROACH SURFACES.

**AIRPORT DEVELOPMENT: BUILD TO MEET PROJECTED DEMAND**

- A TERMINAL FACILITY UPGRADE.
- B RECONDITION HANGAR (CARGO FACILITY)
- C REPLACE T/W WITH CONVENTIONAL PARALLEL CONFIGURATION.
- D 12, 14 AND 16 UNIT T-HANGARS

ITEM	RUNWAY 5-23		RUNWAY 1-19	
	EXISTING	ULTIMATE	EXISTING	ULTIMATE
PHYSICAL LENGTH	5,001'	SAME	5,001'	2,800'
WIDTH	150'	100'	60'	60'
STUB TAXIWAY WIDTHS	60'	60'	N/A	N/A
PVMT. STRENGTH	30,000 LBS. SINGLE WHEEL/ 57,000 LBS. DOUBLE WHEEL	SAME	N/A	N/A
SURFACE MATERIAL	BITUMINOUS CONCRETE	SAME	TURF	TURF
APPROACH TYPE	NON-PRECISION - RWY 5 VISUAL - RWY 23	PRECISION	PRECISION	VISUAL
CLASSIFICATION	UTILITY	SAME	SMALL AIRCRAFT	SMALL AIRCRAFT
RUNWAY LIGHTING	MIRL	MIRL/REIL	DISCLOSED	SMALL AIRCRAFT
RUNWAY MARKING	NON-PRECISION	PRECISION	DISCLOSED	TURF MARKERS
EFFECTIVE GRADIENT (%)	0.004%	0.004%	N/A	N/A
TAXIWAY LIGHTING	MIRL	SAME	N/A	N/A
VISUAL AIDS	FAPL	REILS	N/A	N/A
MAG. BEARING (TRUE BEARING)	326° 54' 46.6" (310° 28.35')	SAME	SAME	SAME
DESIGNATED INSTRUMENT RUNWAY	5			

AIRPORT DATA		
ITEM	EXISTING	ULTIMATE
AIRPORT ELEVATION (U.S.G.S.-M.S.L.)	489'	SAME
AIRPORT REFERENCE POINT (ARP)	43°17'04"N, 70°55'76"W	NEW LOCATION
MEAN MAX. TEMP HOTTEST MONTH	83°F	SAME
NAVAIDS	HOULTON VOR W/DME (4.9 MILES SW)	DGPS
DIST. & DIRECTION FROM THE TOWN OF HOULTON	2 MILES EAST OF HOULTON, ME	SAME
LAND OWNED (ACRES)	194.5	SEE REPORT
AVIATION EASEMENT (ACRES)	38	SEE REPORT
OWNER	TOWN OF HOULTON	SAME
MAG. DECLINATION (ANNUAL RATE OF CHANGE)	16°26.2'W (+.7")	SAME
CRITICAL AIRCRAFT (WING SPAN)	"GENERIC B-II"	SAME
CRITICAL AIRCRAFT APPROACH SPEED	96 KTS.	SAME
CRITICAL AIRCRAFT MTOW	22,500 LBS.	SAME
AIRPLANE DESIGN GROUP	II	II
AIRCRAFT APPROACH CATEGORY	B	B

FEDERAL AVIATION ADMINISTRATION NEW ENGLAND REGION AIRPORT DIVISION APPROVED: <i>R. Doucette</i> DATE: 5/10/07	MAINE DEPARTMENT OF TRANSPORTATION OFFICE OF PASSENGER TRANSPORTATION MeDOT-OPT Signature on file on copy at FAA- New England per Richard Doucette of FAA 5-10-07 DATE: <i>June 23, 2003</i>	TOWN OF HOULTON AIRPORT MANAGER APPROVED: <i>August D. Doyle</i> DATE: <i>June 23, 2003</i>
--	---	--

DESCRIPTION	EXISTING/PLANNED	STANDARD	REMARKS	DATE APPROVED
NON CONFORMING CONDITIONS				

REVISIONS BY DESCRIPTION


STATE NO. PROJECT NO. SAPI11-9047(1)

HOULTON PROJECT NO. 008792.01

PROJECT DESIGNER: **HFA** Hoyle, Tanner & Associates, Inc.

150 DOW STREET - MANCHESTER, NH 03101 - 1227  
Tel: (603) 669-5555 Fax: (603) 669-4188 WEB PAGE: www.hta-nh.com

SCALE: AS SHOWN DATE: DECEMBER, 2002

DES. BY: WPR DR. BY: TDB CHKD. BY: JRL

HOULTON INT'L AIRPORT AIRPORT MASTER PLAN UPDATE

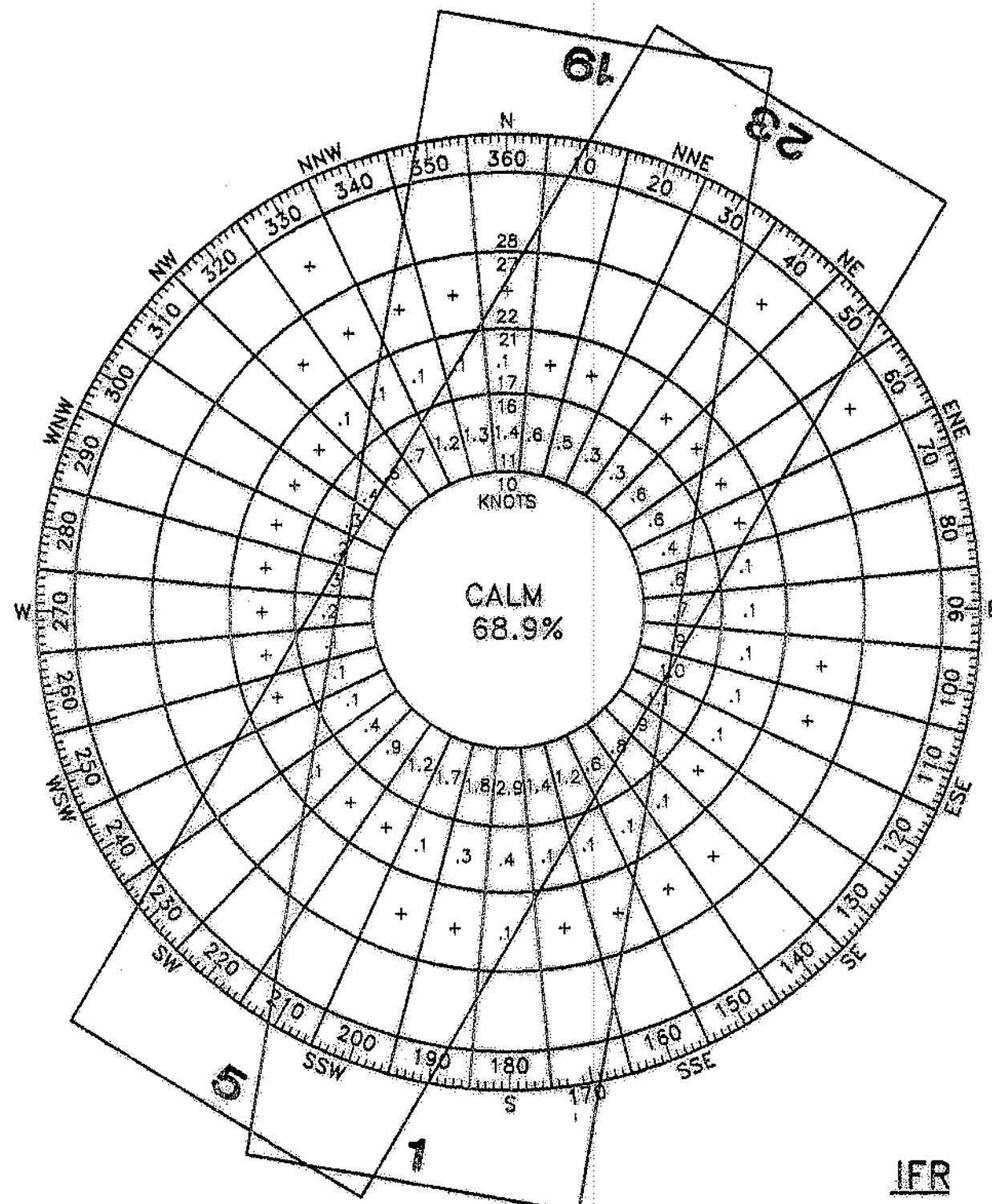
**AIRPORT LAYOUT PLAN (ULTIMATE FACILITIES)**

HFA PROJ. No.: 302901.02  
houltimate.dwg

DRAWING NO. **3**

SHEET 3 OF 9

IFR WIND ROSE



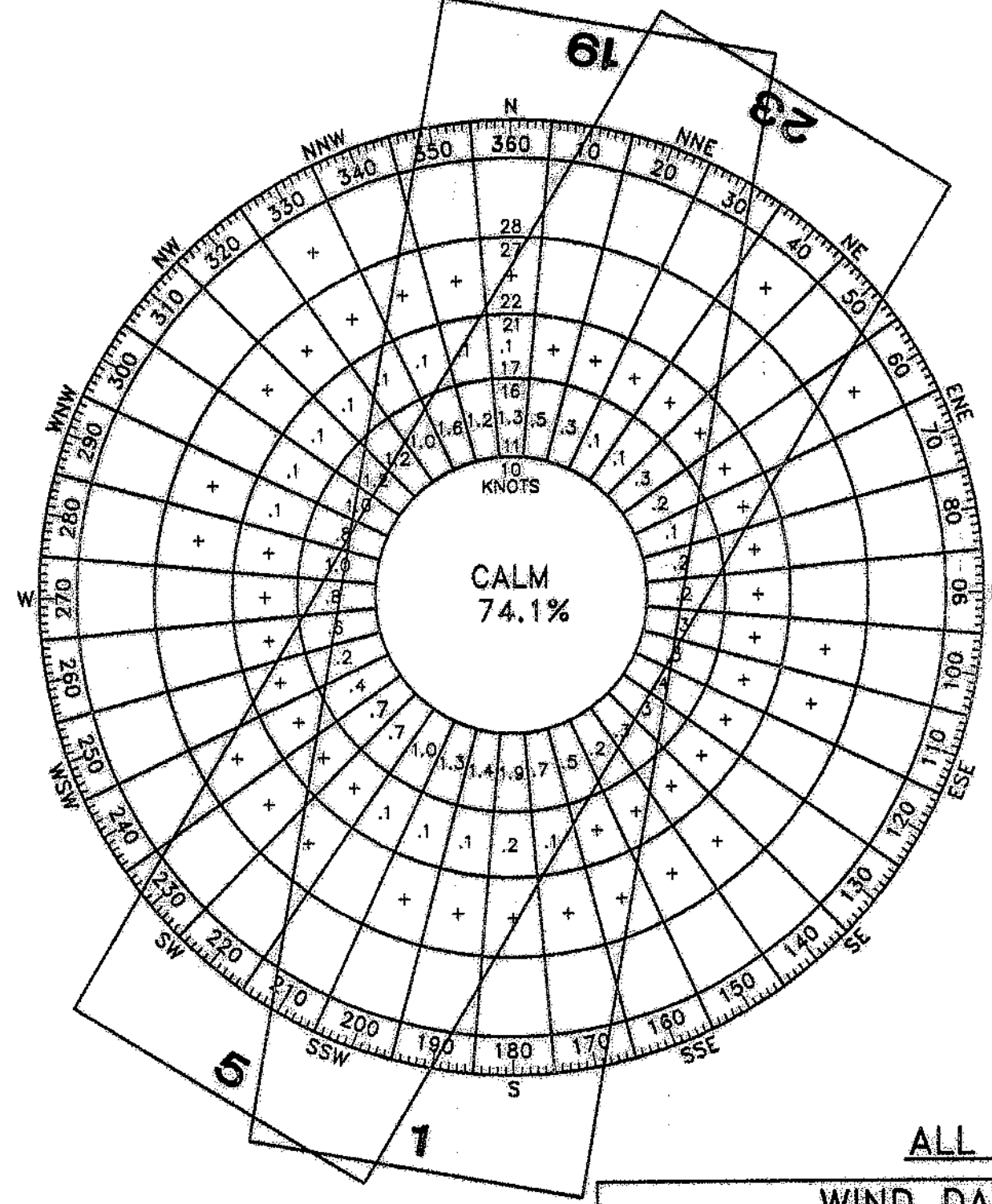
NOTE:  
RUNWAY 1-19 IS CURRENTLY  
CLOSED, BUT IS SHOWN AS  
FUTURE FACILITY.

IFR

WIND DATA SUMMARY			
CROSSWIND COVERAGE (KNOTS)	R/W 5-23	R/W 1-19	R/W 5-23 & 1-19
13.0	94.27%	94.03%	96.87%

STATION: HOULTON INTERNATIONAL AIRPORT #72703  
SOURCE: NATIONAL CLIMATIC DATA CENTER/NATIONAL OCEANIC AND ATMOSPHERIC ADMINISTRATION  
PERIOD OF OBSERVATION: 1991-2000  
OBSERVATIONS: 82,236

ALL WEATHER WIND ROSE



ALL WEATHER

WIND DATA SUMMARY			
CROSSWIND COVERAGE (KNOTS)	R/W 5-23	R/W 1-19	R/W 5-23 & 1-19
13.0	94.61%	94.98%	97.30%

STATION: HOULTON INTERNATIONAL AIRPORT #72703  
SOURCE: NATIONAL CLIMATIC DATA CENTER/NATIONAL OCEANIC AND ATMOSPHERIC ADMINISTRATION  
PERIOD OF OBSERVATION: 1991-2000  
OBSERVATIONS: 82,501

PROPERTY ABUTTING DATA - TOWN OF HOULTON

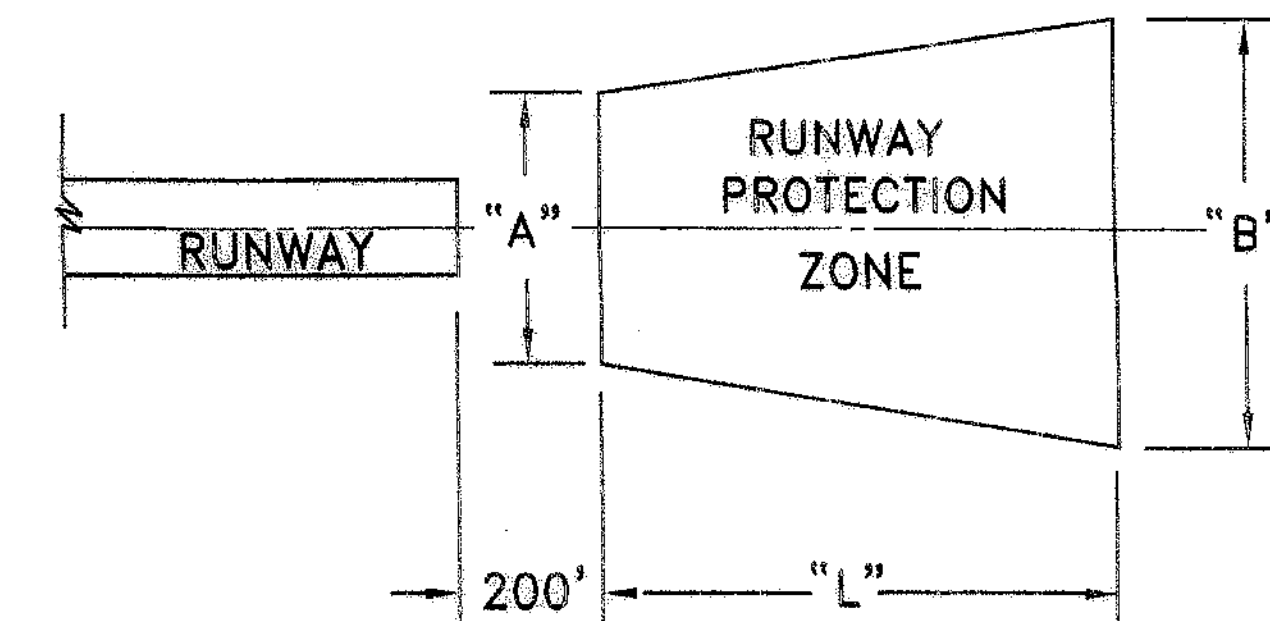
OWNER	MAP NUMBER	LOT NUMBER	BK#	PG#
ALLING, JEFFREY R & DARLA D	6	019	3453	81
AMMEX NORTHLAND CORP.	47	019A	2405	124
FOLSOM, KENNETH	46	003	1711	23
FITZPATRICK, M PATRICIA	45	003	1098	466
TIDD, DANA L	39	002	1068	348
BARUA, SUBODH K & LEENA	39	004	2728	50
POLCHIES, LINDA D	38	17	2584	109
CARMICHAEL, KEVIN L & MARIE F	38	16	2691	226
FITZPATRICK, GREGORY J	38	016A	2175	34
DEWITT, STEVEN E & MICHELE C	38	18	3410	155
HOULTON, TOWN OF	38	018A	CEMETERY	CEMETERY
BROWN, ROGER J & DENISE M	38	009	3549	230
SUITTER, JAQUELINE & BRITTON, DAVID	38	21	1663	221
			1693	325
RUSH, ROBERT R	6	1	1618	98
CARPENTER, MICHAEL & JOAN M	31	2	1851	240
WESTON, THOMAS E & LYNN A	31	003	2297	115
VINCENT, LAWRENCE	24	5	2306	88
SPELLMAN, RICHARD G & BERNADETTE C	24	4	3557	121
SPELLMAN, RICHARD G & BERNADETTE C	24	5	2289	298
WORTMAN, BRENDA L	24	6	2061	287
RUSH, ROBERT R	6	1	1618	98
BREWER, MICHAEL J	3	24	3464	326
REARDON, SHIRLEY & RALPH	3	26	2932	332
COLLINS, WILLIAM P & ROSALIE A	3	28	1953	242
GRANT, WESLEY L & MONIQUE L MARQUIS	3	28C, D	3348	110'
BURRILL, ALLEN E & TINA M	3	28	3449	196
MCMONIGLE, FRANCIS L	3	29	989	185

APPROACH SLOPE DATA

	RUNWAY	CATEGORY	APPROACH SLOPE
FUTURE	5	PRECISION APPROACH - GPS	34:1
FUTURE	23	PRECISION APPROACH - GPS	34:1
EXISTING	5	NON PRECISION - 600'/1 MILE	34:1
EXISTING	23	VISUAL APPROACH	20:1
FUTURE	1	VISUAL APPROACH	20:1
EXISTING	1	VISUAL APPROACH	20:1
EXISTING	19	<b>CLOSED</b>	

RUNWAY PROTECTION ZONE DATA

	RUNWAY	CATEGORY	"L"	"A"	"B"
FUTURE	5	PRECISION APPROACH	1,700'	1,000'	1,510'
FUTURE	23	PRECISION APPROACH	1,700'	1,000'	1,510'
EXISTING	5	NON PRECISION APPROACH	1,000'	500'	700'
EXISTING	23	NON PRECISION APPROACH	1,000'	500'	700'
FUTURE	1	VISUAL APPROACH	1,000'	500'	700'
FUTURE	19	VISUAL APPROACH	1,000'	500'	700'
EXISTING	1	<b>CLOSED</b>			
EXISTING	19	<b>CLOSED</b>			



AIRPORT DESIGN CRITERIA: B-II

DESIGN ELEMENT	REQUIRED B-II DESIGN CRITERIA (IN FEET)	RUNWAY 5-23		RUNWAY 1-19	
		EXISTING	FUTURE	EXISTING	FUTURE
<b>RUNWAY PROTECTION ZONE: (RPZ)</b>	VISUAL AND APPROACH VISIBILITY MINIMUMS NOT LOWER THAN 1-MILE				
LENGTH	1,000'	1,000'	1,700'		1,000'
INNER WIDTH	500'	250'	1,000'		500'
OUTER WIDTH	700'	450'	1,510'		700'
<b>RUNWAY:</b>					
LENGTH	*	5,000'	SAME		2,800'
WIDTH	75'	150'	100'		60'
<b>RUNWAY SAFETY AREA: (RSA)</b>					
LENGTH BEYOND RUNWAY END	300'	RUNWAY 5-300'	SAME		RUNWAY 1-0'
WIDTH	150'	RUNWAY 23-300'	SAME		RUNWAY 19-0'
<b>RUNWAY OBSTACLE FREE ZONE: (OFZ)</b>					
LENGTH BEYOND RUNWAY END	200'	RUNWAY 5-200'	SAME		RUNWAY 1-200'
WIDTH	400'	RUNWAY 23-200'	400'		RUNWAY 19-200'
<b>RUNWAY OBJECT FREE AREA: (OFA)</b>					
LENGTH BEYOND RUNWAY END	300'	RUNWAY 5-300'	SAME		RUNWAY 1-240'
WIDTH	500'	RUNWAY 23-300'	500'		RUNWAY 19-240'
<b>TAXIWAY/TAXILANE:</b>					
WIDTH	35'	60'	SAME		N/A
TAXIWAY SAFETY AREA (TSA) WIDTH	79'	79'	SAME		N/A
TAXIWAY OBJECT FREE AREA (OFA) WIDTH	131'	131'	SAME		N/A
TAXILANE OBJECT FREE AREA WIDTH	115'	115'	SAME		N/A
<b>RUNWAY SEPARATION STANDARDS:</b>	FOR AIRCRAFT APPROACH CATEGORIES A & B FOR VISUAL RUNWAYS AND RUNWAYS WITH NOT LOWER THAN 3/4-STATUTE MILE APPROACH VISIBILITY MINIMUMS				
RUNWAY CENTERLINE TO TAXIWAY/TAXILANE CENTERLINE	240'	240'	240'		N/A
RUNWAY CENTERLINE TO AIRCRAFT PARKING AREA	250'	250'	250'		N/A
<b>TAXIWAY/TAXILANE SEPARATION STANDARDS:</b>					
TAXIWAY CENTERLINE TO PARALLEL TAXIWAY/TAXILANE CENTERLINE	105'	105'	105'		N/A
TAXIWAY CENTERLINE TO A FIXED OR MOVEABLE OBJECT	65.5'	65.5'	65.5'		N/A
TAXILANE CENTERLINE TO PARALLEL TAXILANE CENTERLINE	97'	97'	97'		N/A
TAXILANE CENTERLINE TO A FIXED OR MOVEABLE OBJECT	57.5'	57.5'	57.5'		N/A

\* SEE 2002 HOULTON INTERNATIONAL AIRPORT MASTER PLAN UPDATE, TECHNICAL REPORT, SEE \_\_\_\_\_

REVISIONS BY DATE

STATE PROJECT NO. SAIP11-9047(1)

HOULTON PROJECT NO. 008792.01

PROJECT DESIGNER: **HTA** Hoyle, Tanner & Associates, Inc.

150 DOW STREET - MANCHESTER, NH 03101 - 1227  
Tel: (603) 669-5555 Fax: (603) 669-4166 www.hta-nh.com

DES. BY: WPR  
CHKD. BY: JRL  
DR. BY: TDB  
DATE: DECEMBER, 2002

SCALE: AS SHOWN

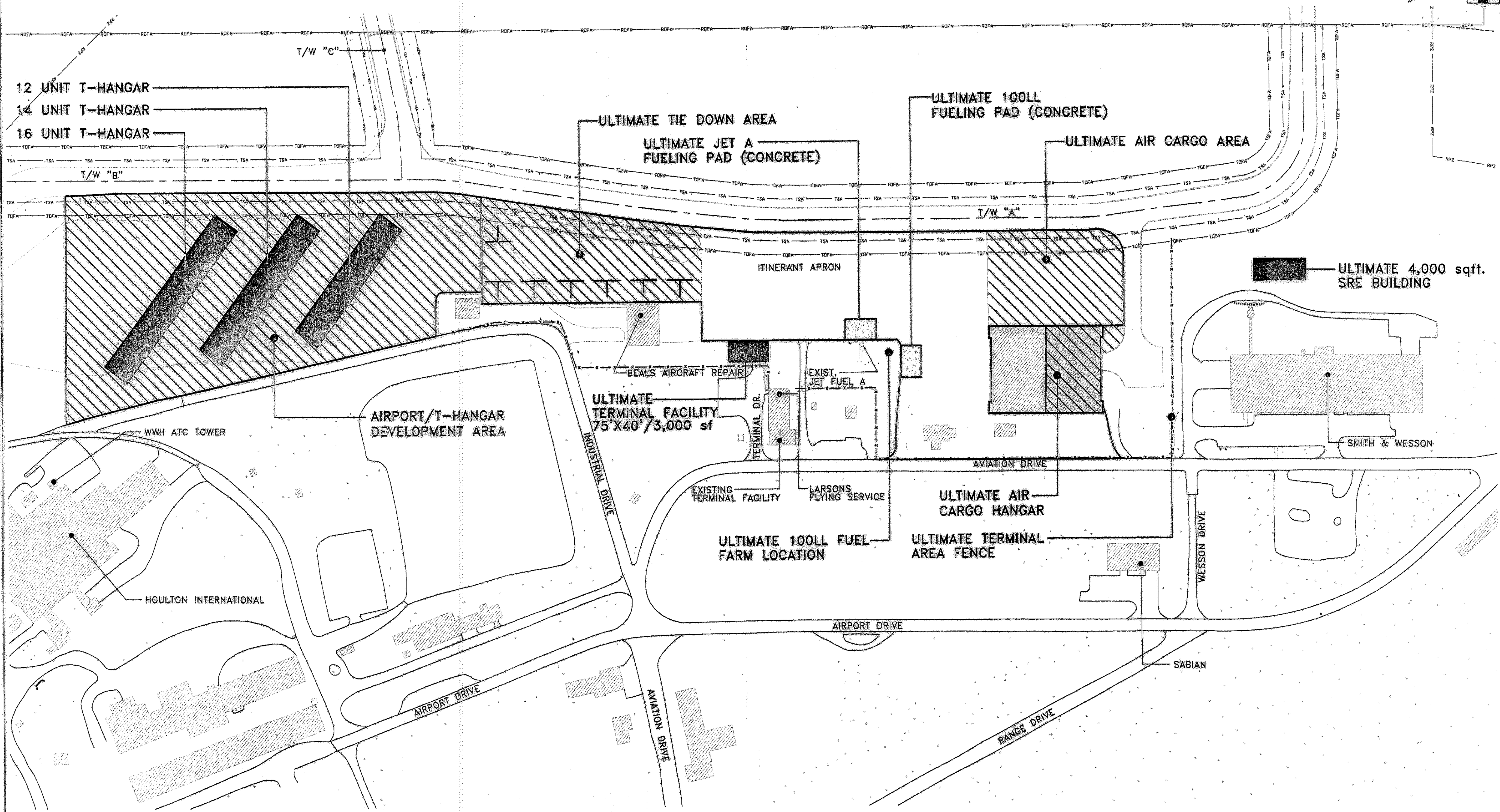
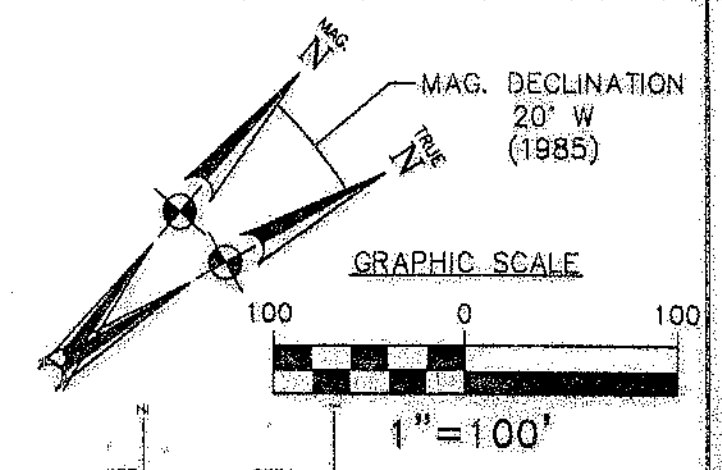
HOULTON INT'L AIRPORT AIRPORT MASTER PLAN UPDATE

ALP DATA SHEET

HTA PROJ. No.: 302901.02  
houdata.dwg

DRAWING NO. **4**

SHEET 4 OF 9



REV. NO.	DATE	DESCRIPTION

STATE PROJECT NO. SAIP11.9047(1)  
 HOULTON PROJECT NO. 008792.01

**HTA**  
 Consulting Engineers

**PROJECT DESIGNER**  
**Hoyle, Tanner & Associates, Inc.**  
 150 DOW STREET - MANCHESTER, NH 03101 - 1227  
 Tel: (603) 669-5555 Fax: (603) 669-4186 WEB PAGE: www.hta-nh.com

DES. BY: WPR  
 DR. BY: TDB  
 CHKD. BY: JRL  
 DATE: DECEMBER, 2002  
 SCALE: AS SHOWN

HOULTON INT'L AIRPORT  
 AIRPORT MASTER PLAN UPDATE

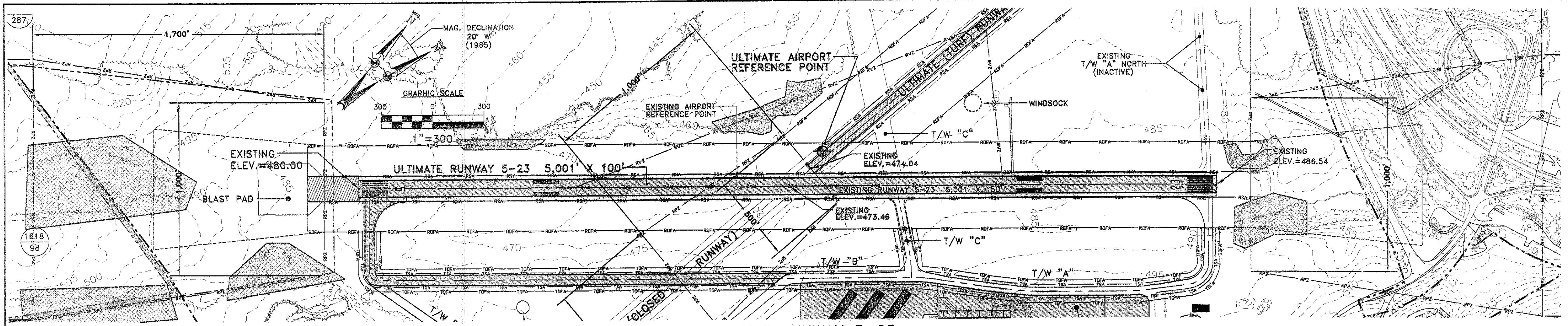
**TERMINAL AREA PLAN**

HTA PROJ. No.: 302901.02  
 houlterminal.dwg

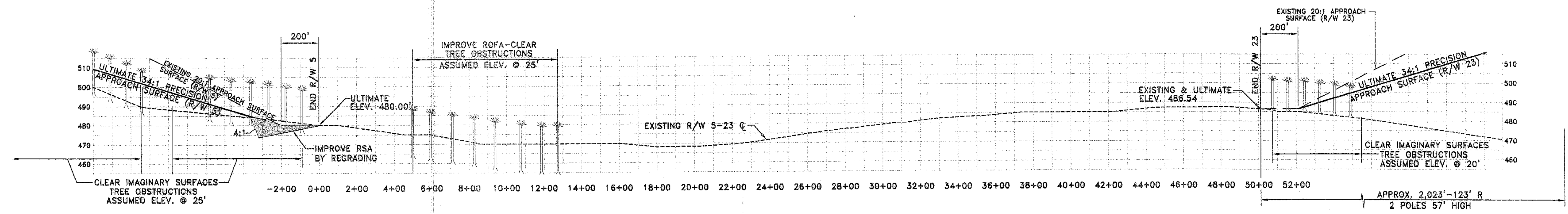
LEGEND			
SYMBOL	DESCRIPTION	SYMBOL	DESCRIPTION
	PAVEMENT EDGE		ULTIMATE STRUCTURE
	RUNWAY CENTERLINE		ULTIMATE TERMINAL AREA PAVEMENT
	AIRPORT PROPERTY LINE		PROPOSED PAVED TIE DOWN
	SECURITY FENCING		
	EXISTING BUILDING		

DRAWING NO.  
**5**

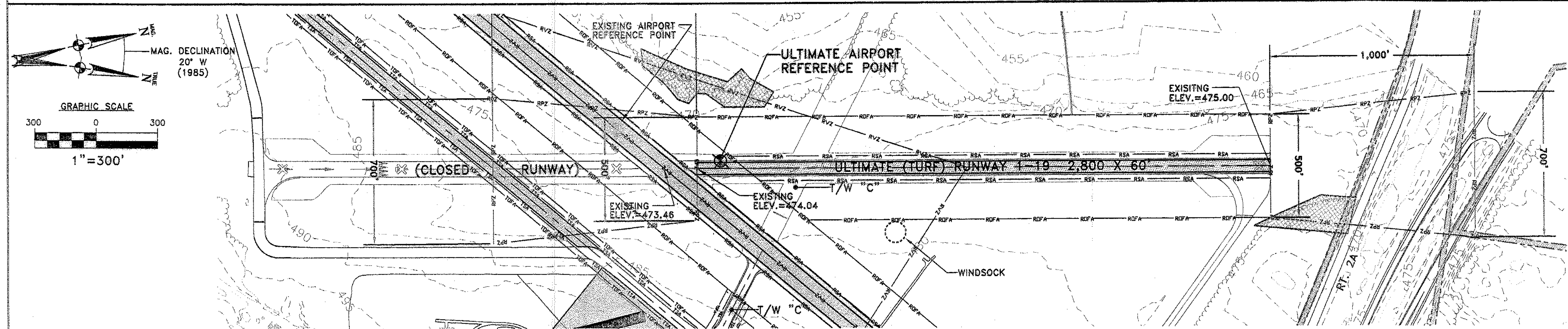
SHEET 5 OF 9



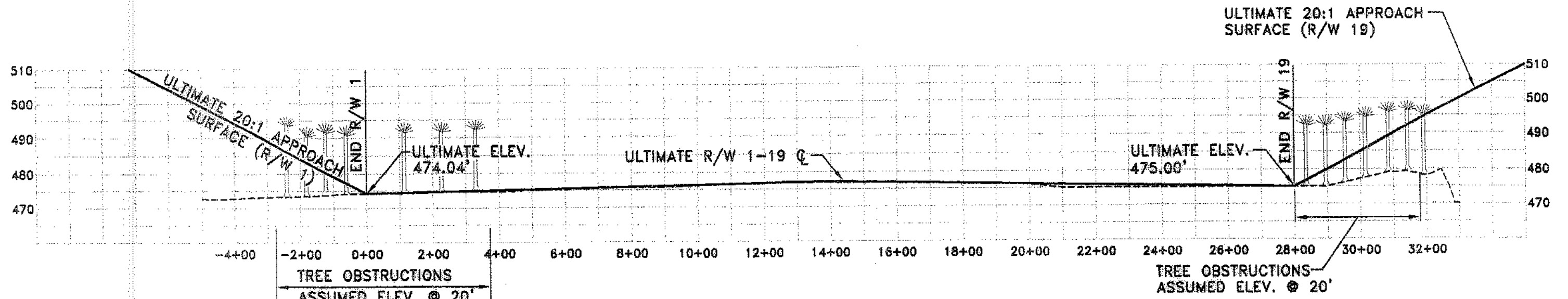
**PLAN VIEW RUNWAY 5-23**  
SCALE: 1"=300'



**PROFILE RUNWAY 5-23**  
SCALE: 1"=300' HORZ  
1"=30' VERT.

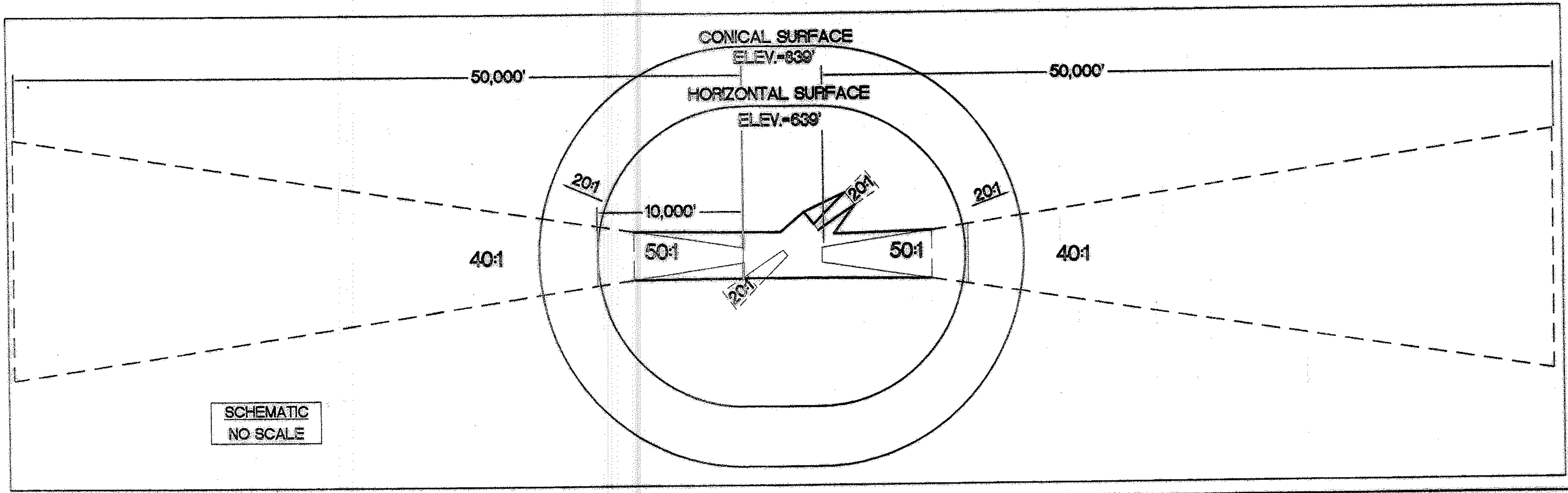
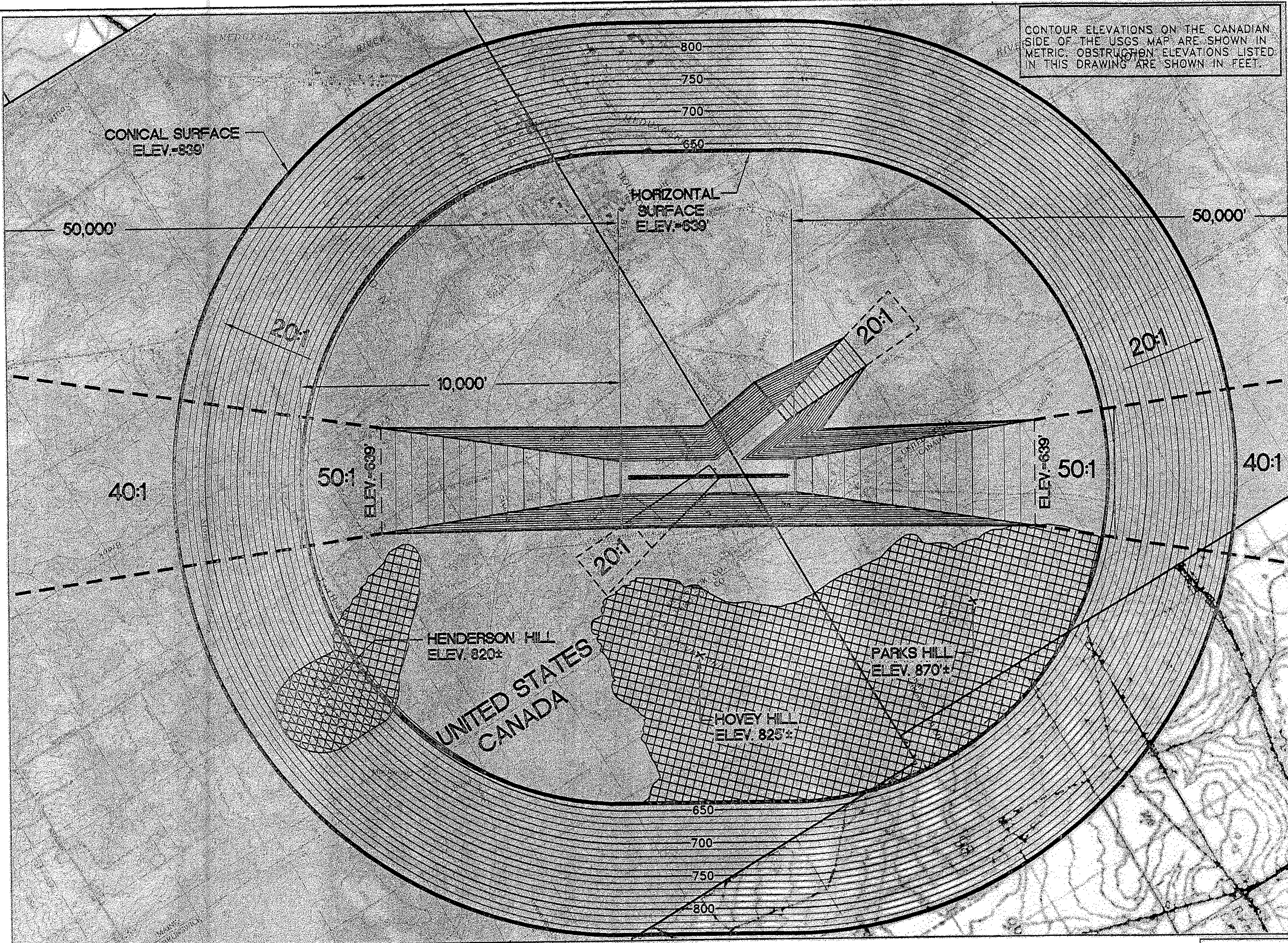
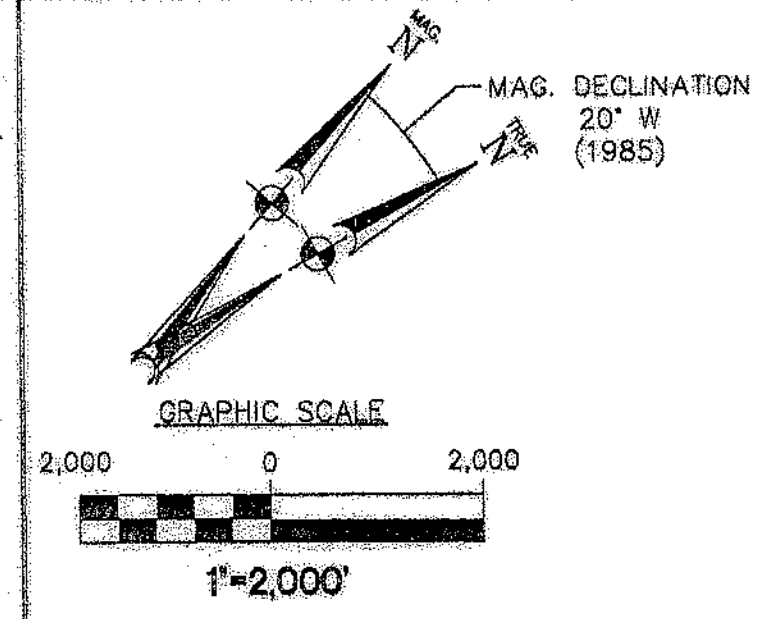


**PLAN VIEW RUNWAY 1-19**  
SCALE: 1"=300'



**PROFILE RUNWAY 1-19**  
SCALE: 1"=300' HORZ  
1"=30' VERT.

REV. NO.	DATE	BY	DESCRIPTION
STATE PROJECT NO.	SAIP11:9047(1)		
PROJECT NO.	HOULTON PROJECT NO. 008792.01		
PROJECT DESIGNER	HFA Consulting Engineers		
DESIGNER	DR. BY: TDB		
CHECKER	CHKD. BY: JRL		
DATE	DECEMBER, 2002		
SCALE	AS SHOWN		
PROJECT DESIGNER	Hoyle, Tanner & Associates, Inc.		
PROJECT ADDRESS	150 DOW STREET - MANCHESTER, NH 03101 - 1227		
PHONE	Tel: (603) 669-5555		
FAX	Fax: (603) 669-4188		
WEBSITE	www.hta-nh.com		
PROJECT TITLE	HOULTON INT'L AIRPORT AIRPORT MASTER PLAN UPDATE		
SHEET TITLE	R/W 5-23 + R/W 1-19 PLAN AND PROFILE		
HTA PROJ. NO.	302901.02		
FILE NAME	houpinprof.dwg		
DRAWING NO.	6		
SHEET	6 OF 9		



LEGEND			
SYMBOL	DESCRIPTION	SYMBOL	DESCRIPTION
	ROADS		APPROACH SURFACE ABOVE HORIZONTAL SURFACE ELEVATION
	HOULTON AIRPORT		APPROACH SURFACE
	U.S./CANADIAN BORDER		SURFACE OBSTRUCTION
	CONICAL SURFACE		
	HORIZONTAL SURFACE		
	SURFACE ELEVATION CONTOUR		

PART 77 AIRSPACE SURFACES				
AIRPORT IMAGINARY SURFACE	RUNWAY 5	RUNWAY 23	RUNWAY 1	RUNWAY 19
CLASSIFICATION	UTILITY PRECISION	UTILITY NON-PRECISION	UTILITY VISUAL	UTILITY VISUAL
APPROACH TYPE				
PRIMARY SURFACE:				
WIDTH	1,000'	1,000'	500'	500'
LENGTH BEYOND USABLE RUNWAY END	200'	200'	0'	0'
HORIZONTAL SURFACE:				
ELEVATION (AIRPORT ELEV. +150')	639'	639'	639'	639'
RADIUS (FROM RUNWAY END)	10,000'	10,000'	5,000'	5,000'
CONICAL SURFACE:				
HORIZONTAL DISTANCE	4,000'	4,000'	4,000'	4,000'
SLOPE	20:1	20:1	20:1	20:1
APPROACH SURFACE:				
INNER EDGE WIDTH	1,000'	1,000'	500'	500'
OUTER EDGE WIDTH	16,000'	16,000'	1,500'	1,500'
HORIZONTAL DISTANCE	10,000'	10,000'	5,000'	5,000'
SLOPE	50:1 FOR 10,000' THEN 50:1 FOR 10,000' THEN 40,000' @ 40:1	50:1 FOR 10,000' THEN 50:1 FOR 10,000' THEN 40,000' @ 40:1	20:1	20:1
TRANSITIONAL SURFACE:				
SLOPE	7:1	7:1	7:1	7:1

REVISIONS

REV. NO.	DATE	BY	DESCRIPTION
1			

STATE PROJECT NO. SAIP11.9047(1)

HOULTON PROJECT NO. 008792.01

PROJECT DESIGNER  
**Hoyle, Tanner & Associates, Inc.**  
150 DOW STREET - MANCHESTER, NH 03101 - 1227  
Tel: (603) 869-5555 Fax: (603) 669-4186 WEB PAGE: www.hta-nh.com

DES. BY WPR  
DR. BY TDB  
CHKD. BY JRL

SCALE: AS SHOWN DATE: DECEMBER, 2002

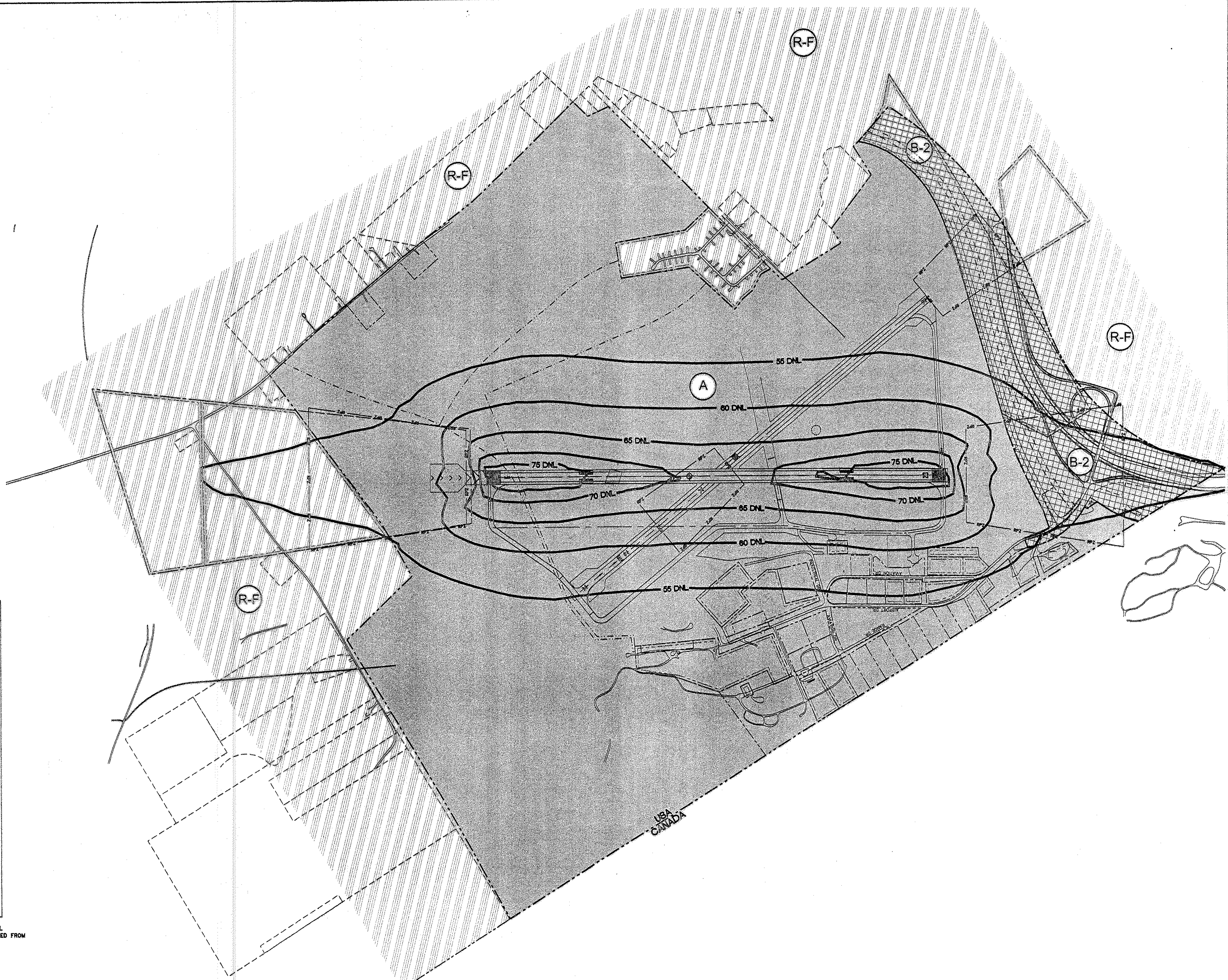
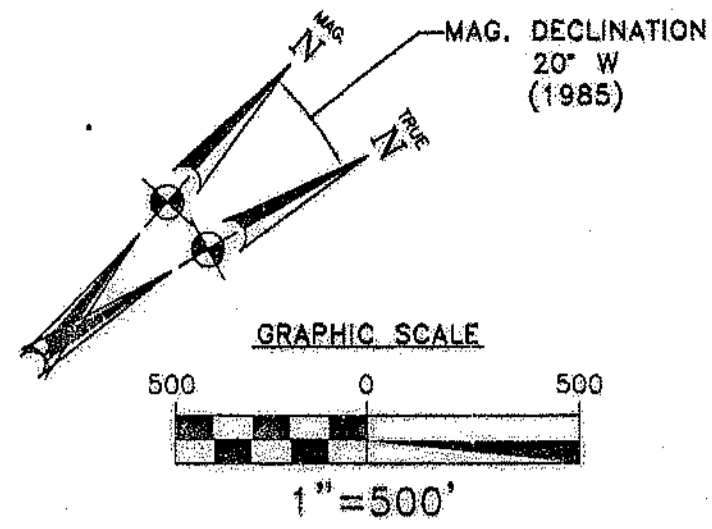
HOULTON INT'L AIRPORT  
AIRPORT MASTER PLAN UPDATE

**PART 77 SURFACES-(PRECISION)**  
**HOULTON INTERNATIONAL AIRPORT**

HTA PROJ. No.: 302801.02  
houpart77.dwg

DRAWING NO. **7**

SHEET 7 OF 9

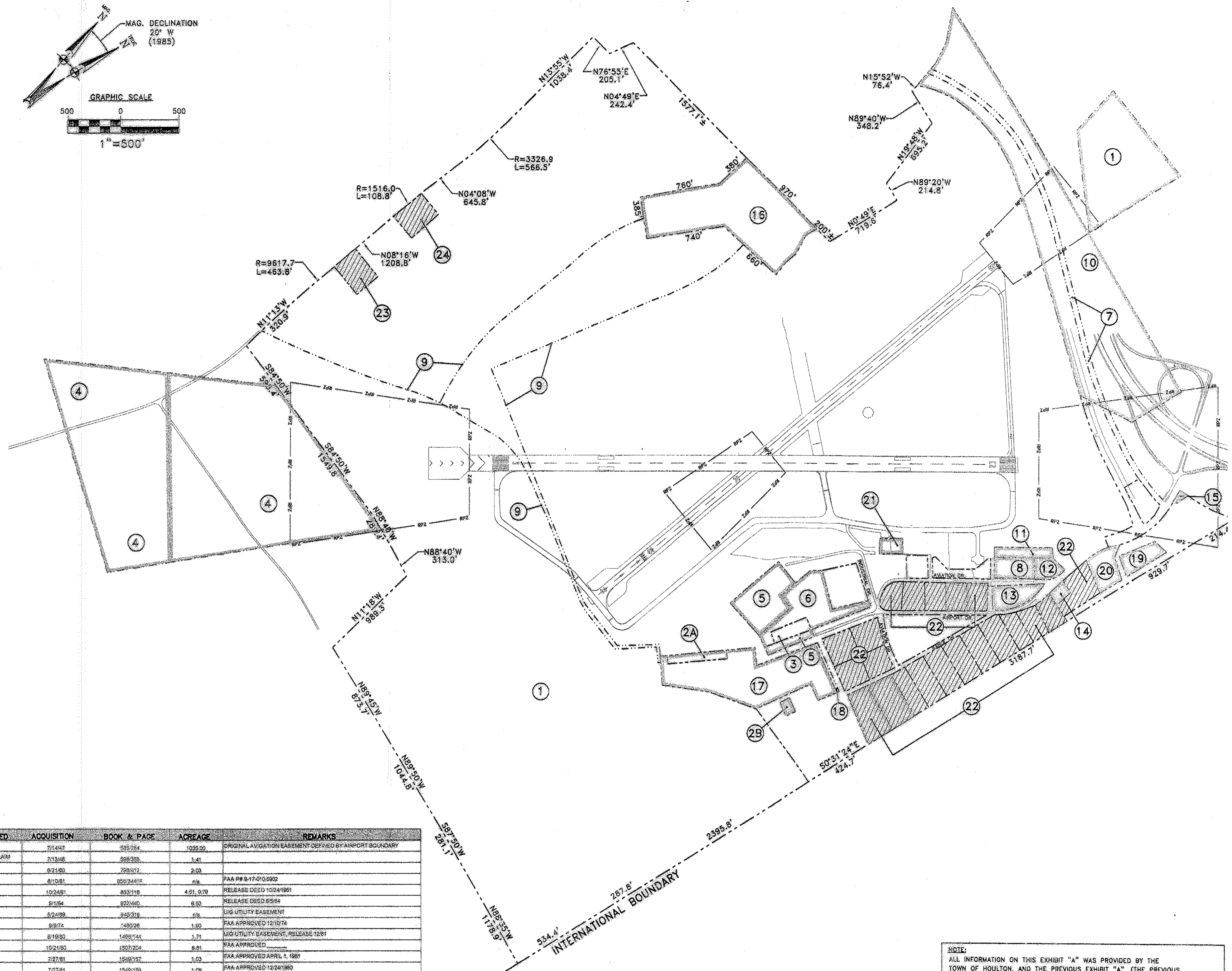
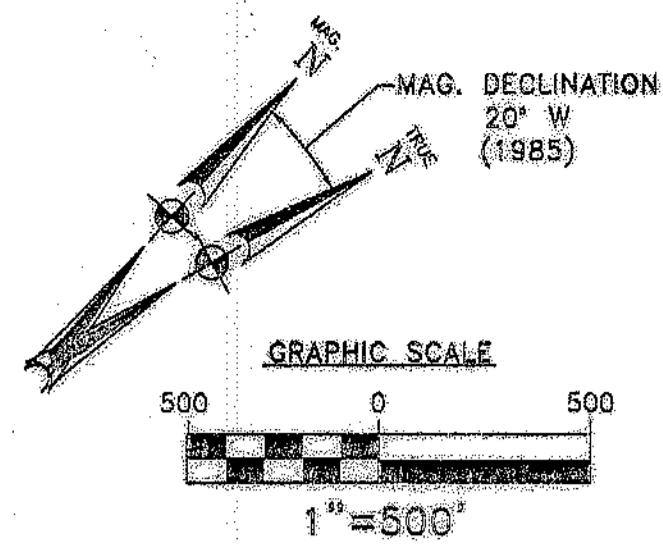


SYMBOL	DESCRIPTION
	PAVEMENT EDGE
	RUNWAY CENTERLINE
	AIRPORT PROPERTY LINE
	AIRPORT ABUTTING LINE
	PROPOSED RUNWAY PROTECTION ZONE
	55 DNL NOISE CONTOUR
	60 DNL NOISE CONTOUR
	65 DNL NOISE CONTOUR
	70 DNL NOISE CONTOUR
	PROPOSED IMPROVEMENTS
	* ZONED FOR "AIRPORT DEVELOPMENT"
	* ZONED FOR "RURAL RESIDENCE & FARMING"
	* ZONED FOR "HIGHWAY BUSINESS"

\* BASED ON RURAL ZONING MAP BY JAMES W. SEWALL COMPANY, DATED 1986. OTHER INFORMATION ACQUIRED FROM THE TOWN OF HOULTON.

STATE PROJECT NO. SAIP11.9047(1)		REV. NO.		DATE		REVISIONS	
HOULTON PROJECT NO. 008792.01						BY DESCRIPTION	
PROJECT DESIGNER <b>Hoyle, Tanner &amp; Associates, Inc.</b>		DES. BY WPR		DR. BY TDB		CHKD. BY JRL	
150 DOW STREET - MANCHESTER, NH 03101 - 1227 Tel: (603) 689-5555 Fax: (603) 689-4188 WEB PAGE: www.hta-nh.com		DATE: DECEMBER, 2002		SCALE: AS SHOWN			
HOULTON INT'L AIRPORT AIRPORT MASTER PLAN UPDATE		LAND USE PLAN		DRAWING NO. 08		SHEET 8 OF 9	





KEY	GRANTOR	GRANTEE	RECORDED	ACQUISITION	BOOK & PAGE	ACREAGE	REMARKS
1	UNITED STATES OF AMERICA	TOWN OF HOULTON	QUITCLAIM	7/14/47	585/254	1035.00	ORIGINAL AVIGATION EASEMENT DEFINED BY AIRPORT BOUNDARY
2a, 2b	UNITED STATES OF AMERICA	TOWN OF HOULTON	SUPP. QUITCLAIM	7/13/48	585/355	1.41	
3	UNITED STATES OF AMERICA	TOWN OF HOULTON	INST. OF TRANSFER	9/21/60	798/412	2.03	
4	Starkley, Chase, Paris, Bush & White	TOWN OF HOULTON	EASEMENT	8/10/81	359/346F	n/a	FAA P# 8-17-010-8902
5	FAA	TOWN OF HOULTON	FEE	10/24/81	853/118	4.51, 9.78	RELEASE DEED 10/24/1981
6	FAA	TOWN OF HOULTON	FEE	8/1/84	822/440	6.93	RELEASE DEED 8/5/84
7	FAA	NETEL, TELEGRAPH-HOULTON WATER CO.	FEE	5/24/89	945/319	.016	UIG UTILITY EASEMENT
8	FAA	SHRETTOWN DEVELOPMENT CORPORATION	FEE	9/9/74	1480/28	1.80	FAA APPROVED 12/10/74
9	FAA	HOULTON WATER CO.	FEE	8/19/80	1488/144	1.71	UIG UTILITY EASEMENT, RELEASE 12/81
10	TOWN OF HOULTON	MAINE DOT	FEE	10/21/80	1507/204	9.81	FAA APPROVED
11	FAA	TOWN OF HOULTON	RELEASE	7/27/81	1549/187	1.03	FAA APPROVED APRIL 1, 1981
12	TOWN OF HOULTON	SHRETTOWN DEVELOPMENT CORPORATION	FEE	7/27/81	1549/189	1.06	FAA APPROVED 12/24/1980
13	TOWN OF HOULTON	SHRETTOWN DEVELOPMENT CORPORATION	FEE	7/27/81	1549/180	1.81	FAA APPROVED 12/24/1980
14	TOWN OF HOULTON	HOULTON LIONS CLUB	FEE	10/15/82	1843/298	0.52	FAA APPROVED 10/15/82
15	TOWN OF HOULTON	MAINE DOT	FEE	12/23/85	1995/260	0.12	FAA APPROVED
16	TOWN OF HOULTON	JOHN DURAN, JR. & WELDON FOLSON	FEE	2/2/87	1890/262	16.82	FAA APPROVED 12/17/86
17	TOWN OF HOULTON	WARD CABIN CO.	FEE	3/9/87	1982/244	13.33	FAA APPROVED 12/17/86
18	TOWN OF HOULTON	HOULTON WATER CO.	FEE	5/28/87	2087/187	n/a	UIG UTILITY EASEMENT
19	TOWN OF HOULTON	ABBEE PRODUCTIONS INC.	FEE	3/19/88	2085/156	0.29	FAA APPROVED 10/19/82
20	TOWN OF HOULTON	ELWOOD & DONNA SHANNON	FEE	10/11/88	2134/105	1.86	FAA APPROVED 10/5/82
21	SOUTHERN AROOSTOOK GROWTH COUNCIL	TERRANCE BEALS	QUITCLAIM	11/9/90	2320/135	0.72	FAA APPROVED
22	UNITED STATES OF AMERICA	TOWN OF HOULTON	RELEASE	8/23/91	2382/345	32.59	LOTS 1-20 - INDUST. PARK, RELEASE DEED 8/23/91
23	TOWN OF HOULTON	FITZPATRICK	RELEASE	9/16/02	3620/229	2.00	FAA APPROVED 1/17/02
24	TOWN OF HOULTON	SCOTT	RELEASE	2/6/02	3620/221	2.00	FAA APPROVED 1/17/02

NOTE:  
ALL INFORMATION ON THIS EXHIBIT "A" WAS PROVIDED BY THE TOWN OF HOULTON, AND THE PREVIOUS EXHIBIT "A". (THE PREVIOUS EXHIBIT "A" WAS DATED MARCH 1989, AND WAS PROVIDED BY THE JAMES W. SEWALL COMPANY, 147 CENTRE STREET, OLD TOWN, ME. 04468, PH: 207-827-4456).

LEGEND			
SYMBOL	DESCRIPTION	SYMBOL	DESCRIPTION
---	EXISTING AIRPORT PROPERTY LINE	---	AVIGATION EASEMENTS
---	TRANSFERRED PARCELS OR EASEMENT PARCELS	---	NEWLY RELEASED PROPERTIES
---	U/G EASEMENT LINES		

HOULTON INT'L AIRPORT AIRPORT MASTER PLAN UPDATE

**EXHIBIT "A"**

HTA PROJ. NO.: 302901.02  
houzhblta.dwg

DRAWING NO. **9**

SHEET 9 OF 9

REVISIONS

REV. NO.	DATE	BY	DESCRIPTION
1			

STATE NO. SAIP11.9047(1)  
PROJECT NO. HOULTON PROJECT NO. 008792.01

PROJECT DESIGNER: **Hoyle, Tanner & Associates, Inc.**  
150 DOW STREET - MANCHESTER, NH 03101 - 1227  
Tel: (603) 869-5555 Fax: (603) 869-1168 WEB PAGE: www.hta-nh.com

DES. BY: WPR  
DR. BY: TDB  
CHKD. BY: JRL

SCALE: AS SHOWN DATE: DECEMBER, 2002